

PRODUCT DATA SHEET

2024-02-07



Article number:

4107000331GG

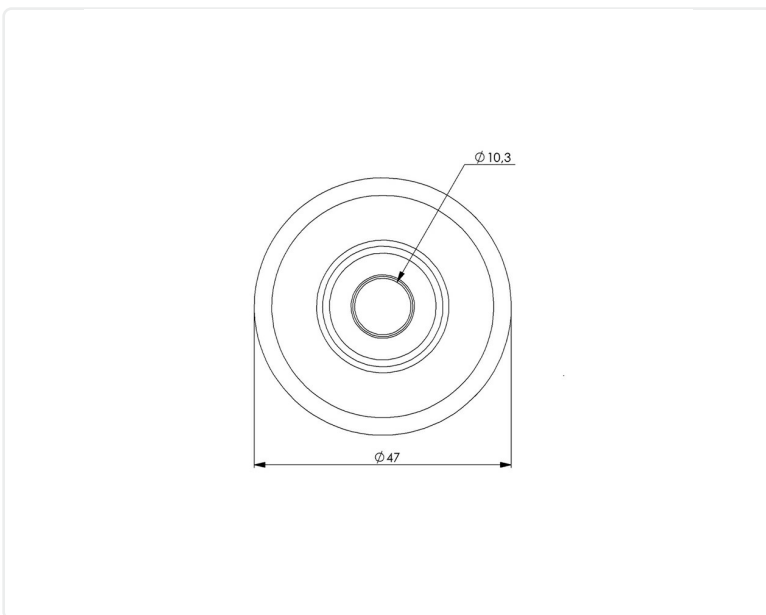
Swivel castor 75 mm, TPE-tyre

Swivel bracket. Made of zinc-chromatized pressed sheet metal with double ball race swivel. Center hole fitting. Riveted wheel axle. Wheel with grey TPE-tyre. Hub made of grey PP with threadguards. Ball bearing.



Image may differ from the actual product.*

DIMENSIONS



SPECIFICATIONS

Diameter	75 mm
Total height	98 mm
Load Capacity (dynamic)	70 kg
Castor model	Swivel
Fitting	Centre hole
Material Tread	TPE
Bearing	Ball bearing
Thread hardness (Shore°)	88° Shore A
Centre Bolt Hole	10.2 mm
Width of tread	24 mm
Material Hub	Polypropylen (pp)
Wheel Pattern	EN 12530
Color Tread	Grey
Teststandard	EN 12530
Offset	36 mm
Material Thickness Bracket	2 mm
Swivel radius	72.5 mm
Product Weight	0.27 kg

Numeric values in the technical specification can be nominal/rounded to the nearest standard dimension. To see exact values, please use the drawing.