

# PRODUCT DATA SHEET

2024-02-02



Article number:

**4107005311GS** 

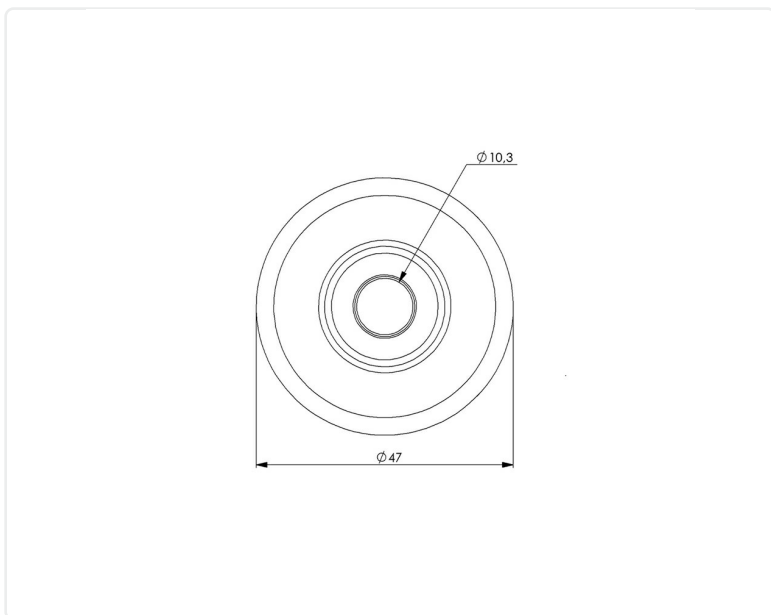
Braked castor 75 mm, total stop brake, TPE-tyre

Swivel bracket with total stop brake. Made of zinc-chromatized pressed sheet metal with double ball race swivel. Center hole fitting. Riveted wheel axle. Wheel with grey TPE-tyre. Hub made of black PP. Plain bearing.



Image may differ from the actual product.\*

## DIMENSIONS



## SPECIFICATIONS

Diameter	75 mm
Total height	98 mm
Load Capacity (dynamic)	55 kg
Castor model	Brake
Fitting	Centre hole
Material Tread	TPE
Bearing	Plain bearing
Thread hardness (Shore°)	85° Shore A
Centre Bolt Hole	10.2 mm
Brake	Total brake
Width of tread	24 mm
Material Hub	Polypropylen (pp)
Color Tread	Grey
Offset	35 mm
Material Thickness Bracket	2 mm
Swivel radius	82 mm

*Numeric values in the technical specification can be nominal/rounded to the nearest standard dimension. To see exact values, please use the drawing.*