

PRODUCT DATA SHEET

2024-01-29



Article number:

5B12660322SS

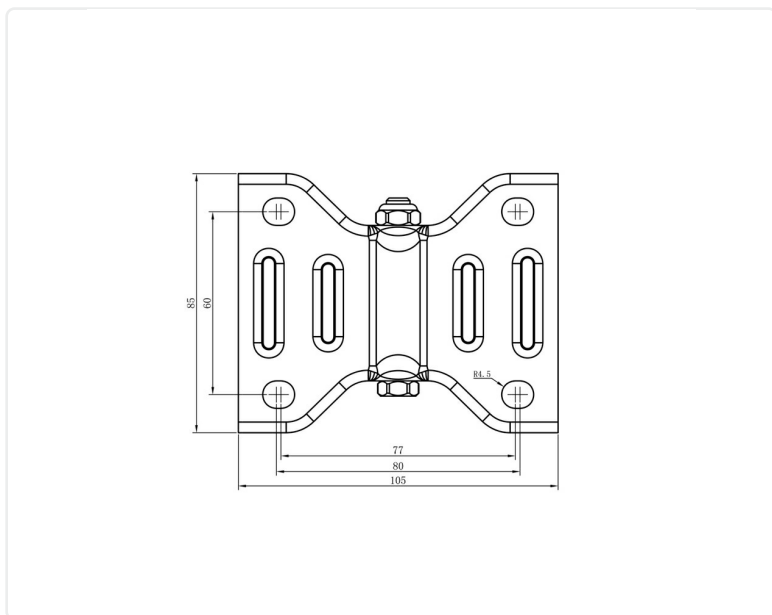
Fixed castor 125 mm, rubber-tyre

Fixed bracket made of zinc-chromatized pressed sheet metal. Top plate fitting. Wheel axle with nut. Wheel with black rubber-tyre. Hub made of black PP. Roller bearing.



Image may differ from the actual product.*

DIMENSIONS



SPECIFICATIONS

Diameter	125 mm
Total height	155 mm
Load Capacity (dynamic)	100 kg
Castor model	Fix
Fitting	Top plate
Material Tread	Rubber
Bearing	Roller bearing
Plate Size	105x85 mm
CC Distance	80x60 mm
Thread hardness (Shore°)	85° Shore A
Width of tread	38 mm
Material Hub	Polypropylen (pp)
Top Hole	9 mm
Fixed	Yes
Dyn. Load Capacity (4km/)	100 kg
Color Tread	Black
Material Type	RoHS (EU) - Approved
Material Thickness Bracket	2 mm
Material thickness plate	2 mm
Product Weight	0,9 kg
Temperature Range	-20°C to +60°C

Numeric values in the technical specification can be nominal/rounded to the nearest standard dimension. To see exact values, please use the drawing.