

PRODUCT DATA SHEET

2024-02-02



Article number:

4110005411SSS

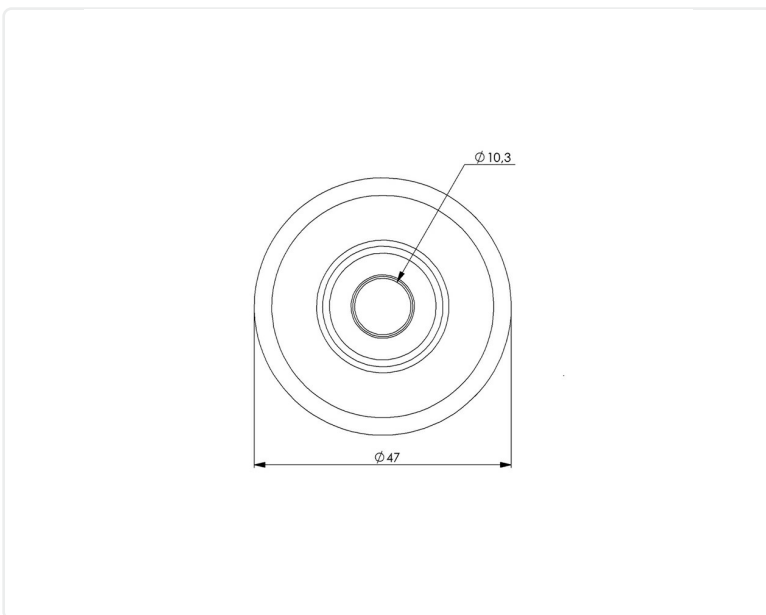
Braked castor 100 mm, total stop brake, TPU-tyre

Swivel bracket with total stop brake. Made of zinc-chromatized pressed sheet metal with double ball race swivel. Center hole fitting. Black lacquered. Riveted wheel axle. Wheel with black TPU-tyre. Hub made of black PP with threadguards. Plain bearing.



Image may differ from the actual product.*

DIMENSIONS



SPECIFICATIONS

Diameter	100 mm
Total height	120 mm
Load Capacity (dynamic)	55 kg
Castor model	Brake
Fitting	Centre hole
Material Tread	Polyurethane
Bearing	Plain bearing
Thread hardness (Shore°)	98° Shore A
Centre Bolt Hole	10.2 mm
Brake	Total brake
Width of tread	24 mm
Material Hub	Polypropylen (pp)
Wheel Pattern	EN 12530
Painted Housing	Black
Color Tread	Black
Material Type	RoHS (EU) - Approved
Teststandard	EN 12530
Offset	37 mm
Material Thickness Bracket	2 mm
Swivel radius	95 mm
Product Weight	0.37 kg
Temperature Range	-20°C to +50°C

Numeric values in the technical specification can be nominal/rounded to the nearest standard dimension. To see exact values, please use the drawing.