

# PRODUCT DATA SHEET

2024-02-02



Article number:

## 4110000411SSS

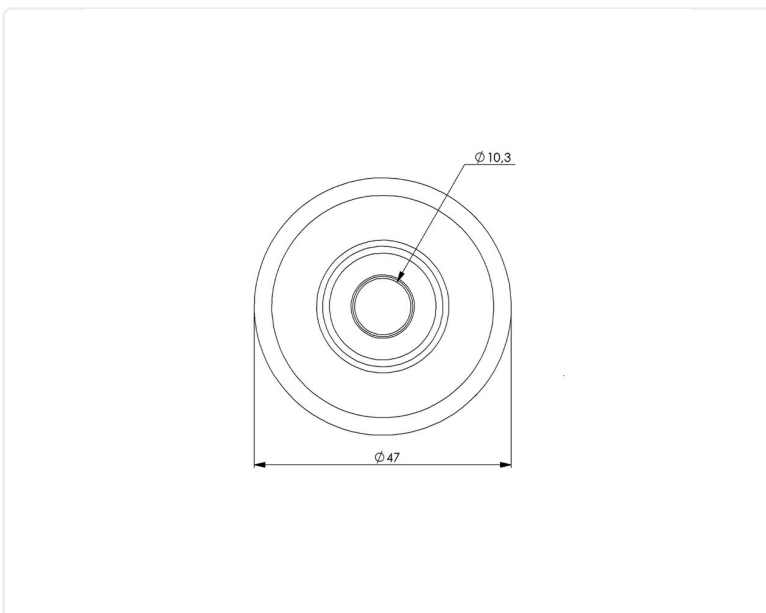
Swivel castor 100 mm, TPU-tyre

Swivel bracket. Made of zinc-chromatized pressed sheet metal with double ball race swivel. Center hole fitting. Black lacquered. Riveted wheel axle. Wheel with black TPU-tyre. Hub made of black PP with threadguards. Plain bearing.



Image may differ from the actual product.\*

## DIMENSIONS



## SPECIFICATIONS

Diameter	100 mm
Total height	120 mm
Load Capacity (dynamic)	55 kg
Castor model	Swivel
Fitting	Centre hole
Material Tread	Polyurethane
Bearing	Plain bearing
Thread hardness (Shore°)	98° Shore A
Centre Bolt Hole	10.2 mm
Width of tread	24 mm
Material Hub	Polypropylen (pp)
Wheel Pattern	EN 12530
Painted Housing	Black
Color Tread	Black
Material Type	RoHS (EU) - Approved
Teststandard	EN 12530
Offset	37 mm
Material Thickness Bracket	2 mm
Swivel radius	85 mm
Product Weight	0,32 kg
Temperature Range	-20°C to +50°C

*Numeric values in the technical specification can be nominal/rounded to the nearest standard dimension. To see exact values, please use the drawing.*