

PRODUCT DATA SHEET

2024-02-02



Article number:

4207650311GS 

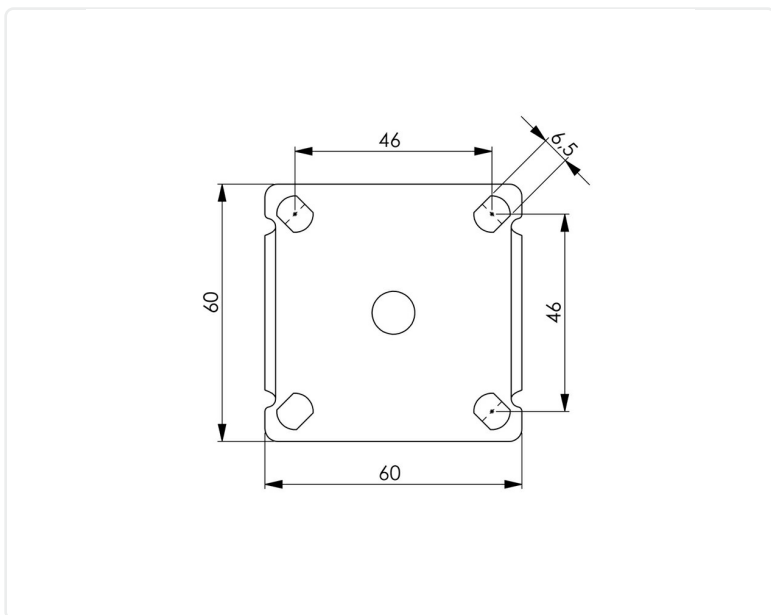
Fixed castor 75 mm, TPE-tyre

Fixed bracket made of zinc-chromatized pressed sheet metal. Top plate fitting. Riveted wheel axle. Wheel with grey TPE-tyre. Hub made of black PP. Plain bearing.



Image may differ from the actual product.*

DIMENSIONS



SPECIFICATIONS

Diameter	75 mm
Total height	99 mm
Load Capacity (dynamic)	55 kg
Castor model	Fix
Fitting	Top plate
Material Tread	TPE
Bearing	Plain bearing
Plate Size	60x60 mm
CC Distance	46x46 mm
Thread hardness (Shore°)	85° Shore A
Width of tread	24 mm
Material Hub	Polypropylen (pp)
Top Hole	8,5x6,5 mm
Fixed	Yes
Color Tread	Grey
Material Thickness Bracket	2 mm
Material thickness plate	2 mm
Product Weight	0.21 kg

Numeric values in the technical specification can be nominal/rounded to the nearest standard dimension. To see exact values, please use the drawing.