

PRODUCT DATA SHEET

2024-02-02



Article number:

4107655311GS 

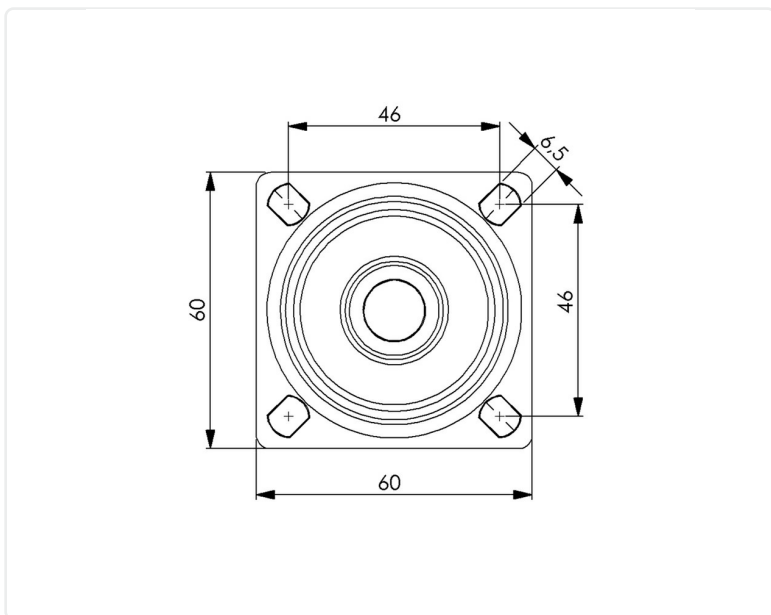
Braked castor 75 mm, total stop brake, TPE-tyre

Swivel bracket with total stop brake. Made of zinc-chromatized pressed sheet metal with double ball race swivel. Top plate fitting. Riveted wheel axle. Wheel with grey TPE-tyre. Hub made of black PP. Plain bearing.



Image may differ from the actual product.*

DIMENSIONS



SPECIFICATIONS

Diameter	75 mm
Total height	99 mm
Load Capacity (dynamic)	55 kg
Castor model	Brake
Fitting	Top plate
Material Tread	TPE
Bearing	Plain bearing
Plate Size	60x60 mm
CC Distance	46x46 mm
Thread hardness (Shore°)	85° Shore A
Brake	Total brake
Width of tread	24 mm
Material Hub	Polypropylen (pp)
Color Tread	Grey
Offset	35 mm
Material Thickness Bracket	2 mm
Material thickness plate	2 mm
Swivel radius	82 mm

Numeric values in the technical specification can be nominal/rounded to the nearest standard dimension. To see exact values, please use the drawing.