

# PRODUCT DATA SHEET

2024-02-09



Article number:

## 4105000601GS

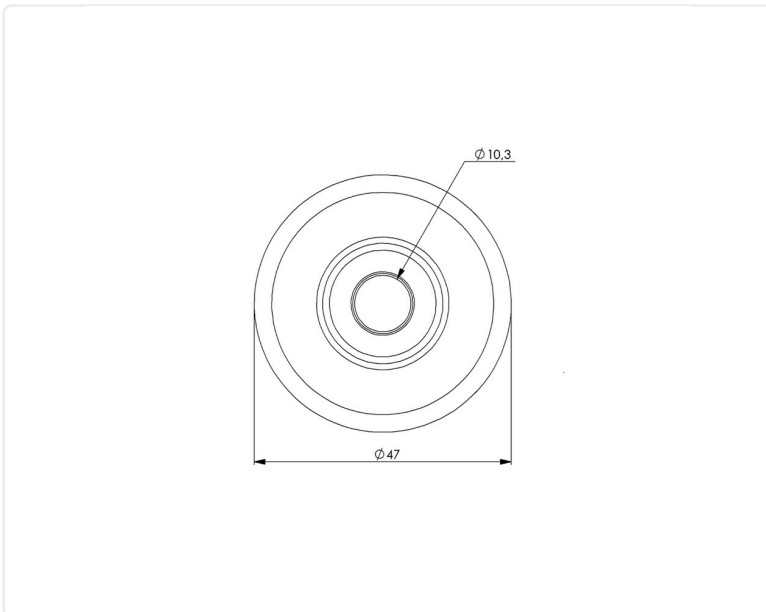
Swivel castor twin wheel 50 mm, TPE-tyre

Swivel bracket for twin wheel. Made of zinc-chromatized pressed sheet metal with double ball race swivel. Center hole fitting. Riveted wheel axle. Wheel with grey TPE-tyre. Hub made of black PP. Plain bearing.



Image may differ from the actual product.\*

## DIMENSIONS



## SPECIFICATIONS

Diameter	50 mm
Total height	70 mm
Load Capacity (dynamic)	70 kg
Castor model	Swivel
Fitting	Centre hole
Material Tread	TPE
Bearing	Rivet
Thread hardness (Shore°)	85° Shore A
Centre Bolt Hole	102 mm
Width of tread	20 mm
Material Hub	Polypropylen (pp)
Wheel Pattern	EN 12530
Color Tread	Grey
Teststandard	EN 12530
Offset	24,5 mm
Material Thickness Bracket	2 mm
Swivel radius	49,5 mm
Product Weight	0,21 kg

*Numeric values in the technical specification can be nominal/rounded to the nearest standard dimension. To see exact values, please use the drawing.*